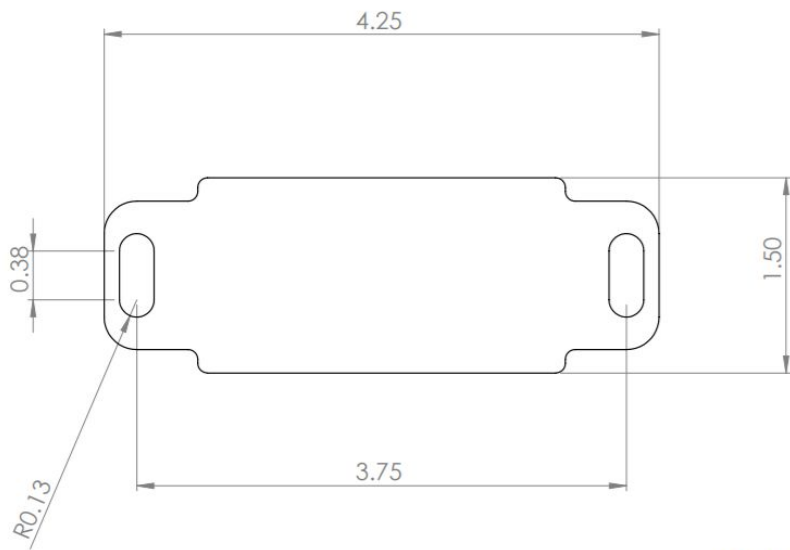


Color Position Light User Manual



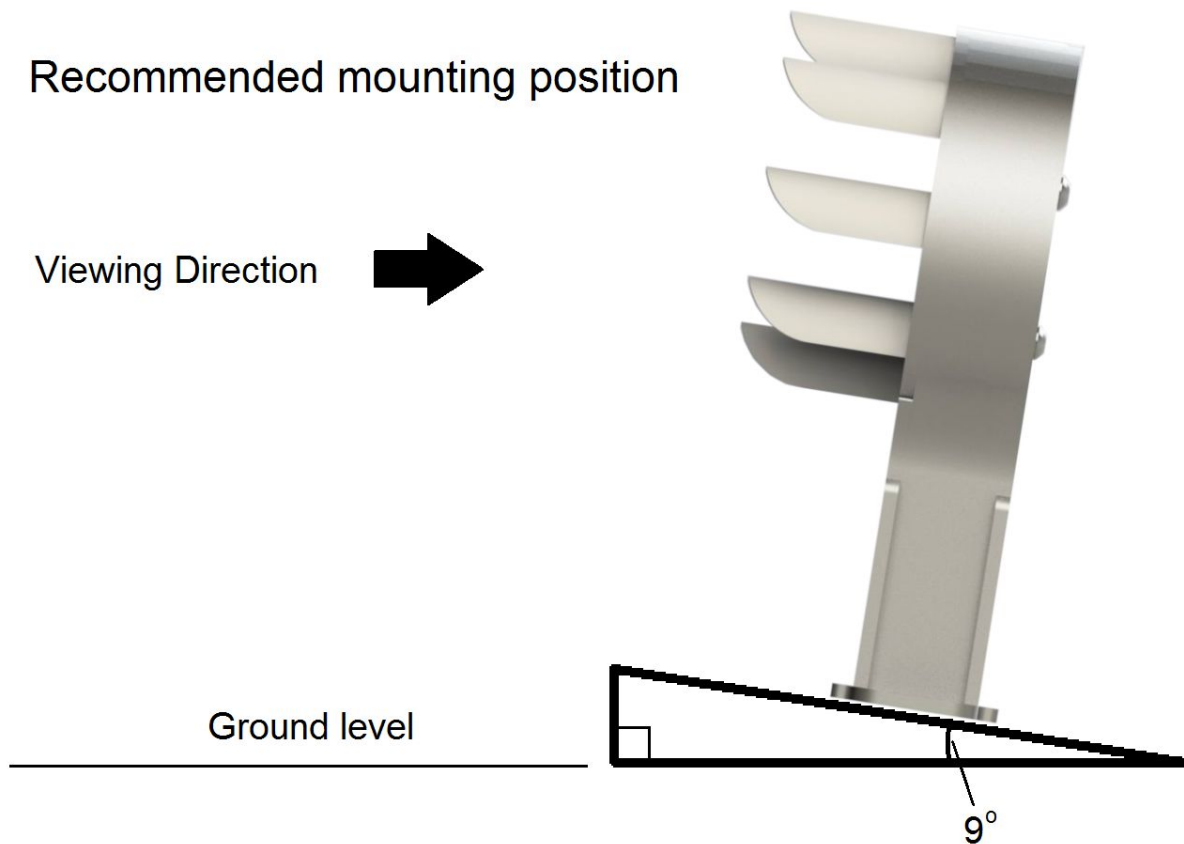
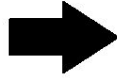
Dwarf CPL Mounting



Inches

Recommended mounting position

Viewing Direction



For best viewing at close distances mount the CPL at approximately 9 degrees. This gives the best view at ten (10) feet distance. A 9 degree angle is 1 inch rise over 6 inches run. The picture above depicts a true 9 degree angle for reference.

Lenses:

All lenses are 0.6" diameter by 1/16" thick.

A 3/4 hole saw with 1/16 blade thickness will cut the proper size lense.

Electrical connections:

For CPLs with NO controller there will be five (5) wires. One red, one yellow, one green, one blue and one white.

Red- negative control for red aspect

Yellow - negative control for yellow aspect

Green- negative control for green aspect

Blue- negative control for lunar aspect

White- Common positive 8-24V DC

Operating voltage 8-24V DC (all models)

Operating current <100mA. (all models)

Duty cycle - 100% (all models)

**For models with built in controller please refer to the custom instruction included with your unit. For further assistance contact DC Custom Electronics at 602 256 2021.